

Continental 
The Future in Motion



One Stop:
Multi V-belt kit

Power Transmission Group
Automotive Aftermarket

ContiTech

Full control of tension:

Multi V-belt kit from ContiTech

After changing a multi V-belt, long-term trouble-free running is only assured if the belt tension is correct. It therefore makes sense to also replace all the wear parts in the belt drive, e.g. tensioning and idler pulleys or dampers, whenever a belt is changed.

ContiTech's multi V-belt kit ensures that fitters immediately have all the necessary components at hand - optimally matched to each other and ready for immediate use. That makes the belt change simpler and faster. Furthermore, because all the components come from a single source, there is also just one point of contact for all service queries. That makes operations in the workshop more economical and

efficient. In addition, workshops are fitting original equipment quality when they use ContiTech components.

You can rely on it, and your customers also appreciate it: Multi V-belts from ContiTech are generally not ground, but manufactured in a molding process. That ensures optimal dimensional precision, long service lives and smooth running. The quality of the components can also be seen in the detail, for instance in the deep groove ball bearings used. These long-life bearings are fitted with an enlarged grease reservoir and deliver outstanding performance because of their high load ratings. They therefore work particularly reliably and quietly.

Baseplate (mounting flange)

Made of die-cast aluminum.

Sliding bearing

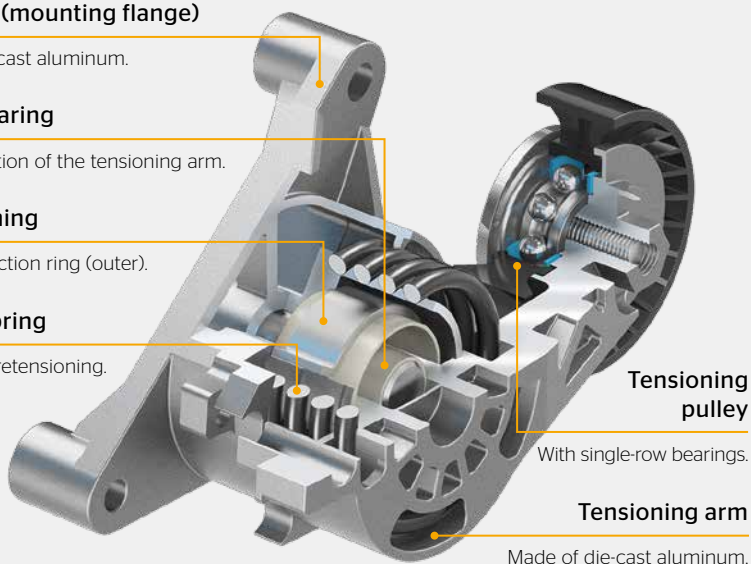
Enables rotation of the tensioning arm.

Friction lining

With steel friction ring (outer).

Torsion spring

Generates pretensioning.



Contents:

- > Multi V-belt
- > Tensioning and idler pulleys
- > Tensioning dampers



Data, instructions and other technical information available from the PIC at www.contitech.de/pic or simply scan the QR code.



The content of this publication is not legally binding and is provided as information only. The trademarks displayed in this publication are the property of Continental AG and/or its affiliates. Copyright © 2014 ContiTech AG. All rights reserved. For complete information go to: www.contitech.de/disc_en



ContiTech Antriebssysteme GmbH
 Hanover, Germany
 Tech. Hotline +49 (0)511 938-5178
aam@ptg.contitech.de · www.contitech.de/aam

ContiTech